

Page 7

Appln. No. 10/051,541

Amendment "A"

Amendments to the Drawings

The six (6) attached sheets of drawings include changes to Figs. 1A, 1B; Fig. 2; Figs. 3A, 3B, 3C; Fig. 4; Fig 5; and Figs. 6A, 6B, 6C. Each figure has been amended to include a legend designating the figure as prior art.

Attachment: Six (6) Replacement Sheets

A



FIG. 1A
(Prior Art)

110

105

0	1	2	3
4	5	6	7
8	9	10	11
12	13	14	15

FIG. 1B
(Prior Art)

155

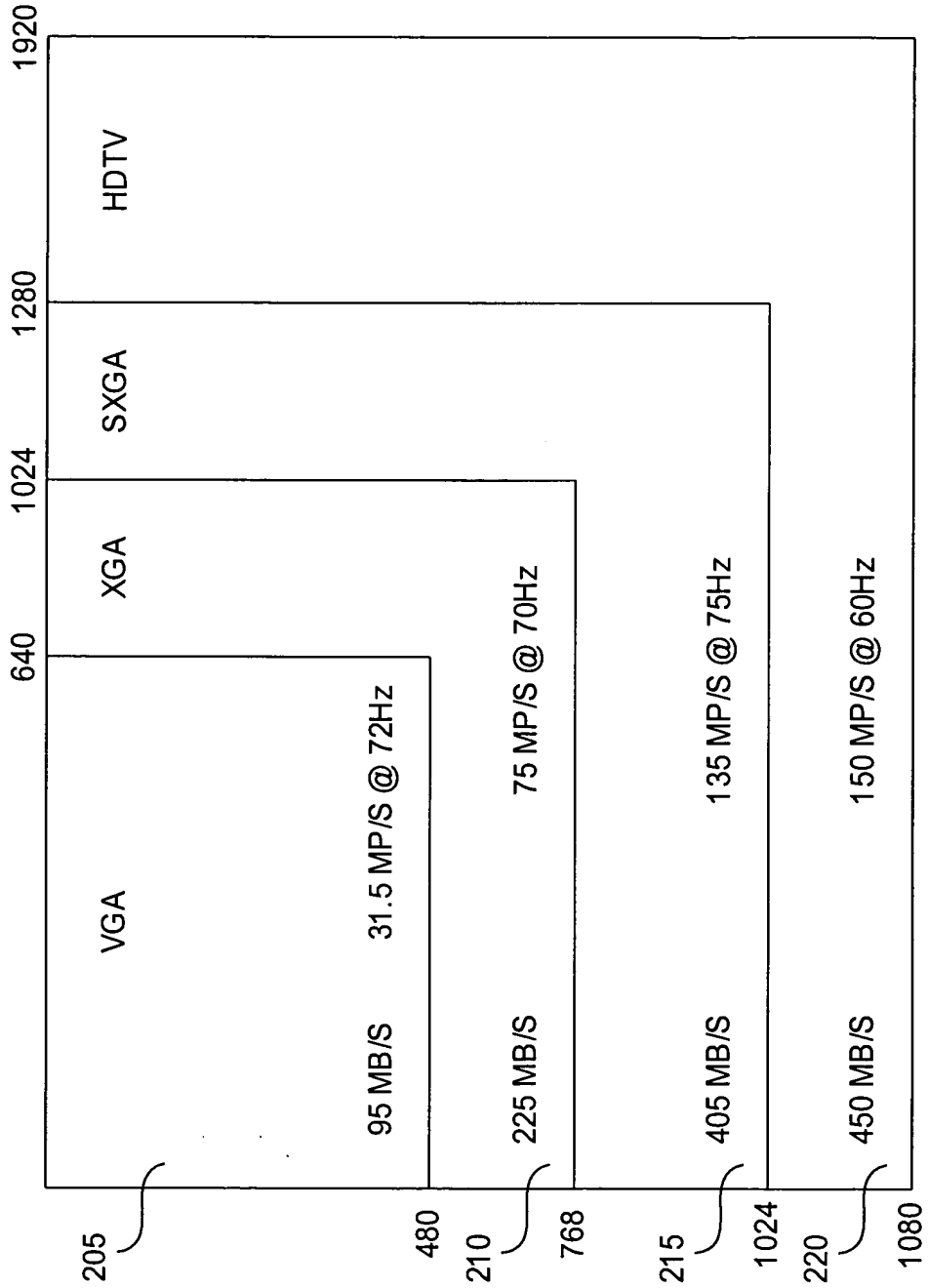
150

0	1	2	3
4	5	6	7
8	9	10	11
12	13	14	15

A



FIG. 2
(Prior Art)



A



FIG. 3A
(Prior Art)

310

305

0	1	2	3	4	5	6	7
8	9	10	11	12	13	14	15
16	17	18	19	20	21	22	23
24	25	26	27	28	29	30	31

350

FIG. 3B
(Prior Art)

0	2	4	6
8	10	12	14
16	18	20	22
24	26	28	30

FIG. 3C
(Prior Art)

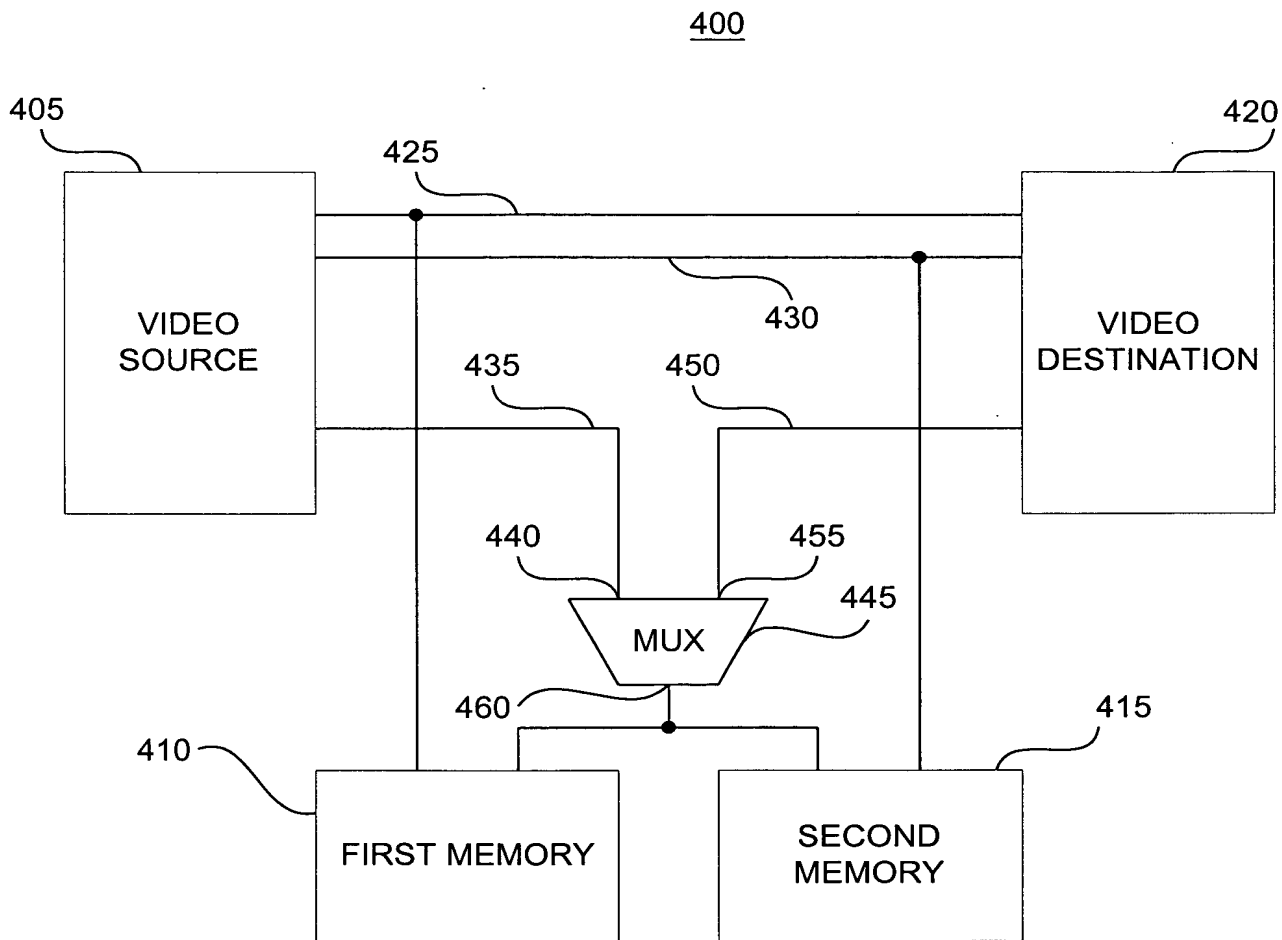
375

1	3	5	7
9	11	13	15
17	19	21	23
25	27	29	31

A



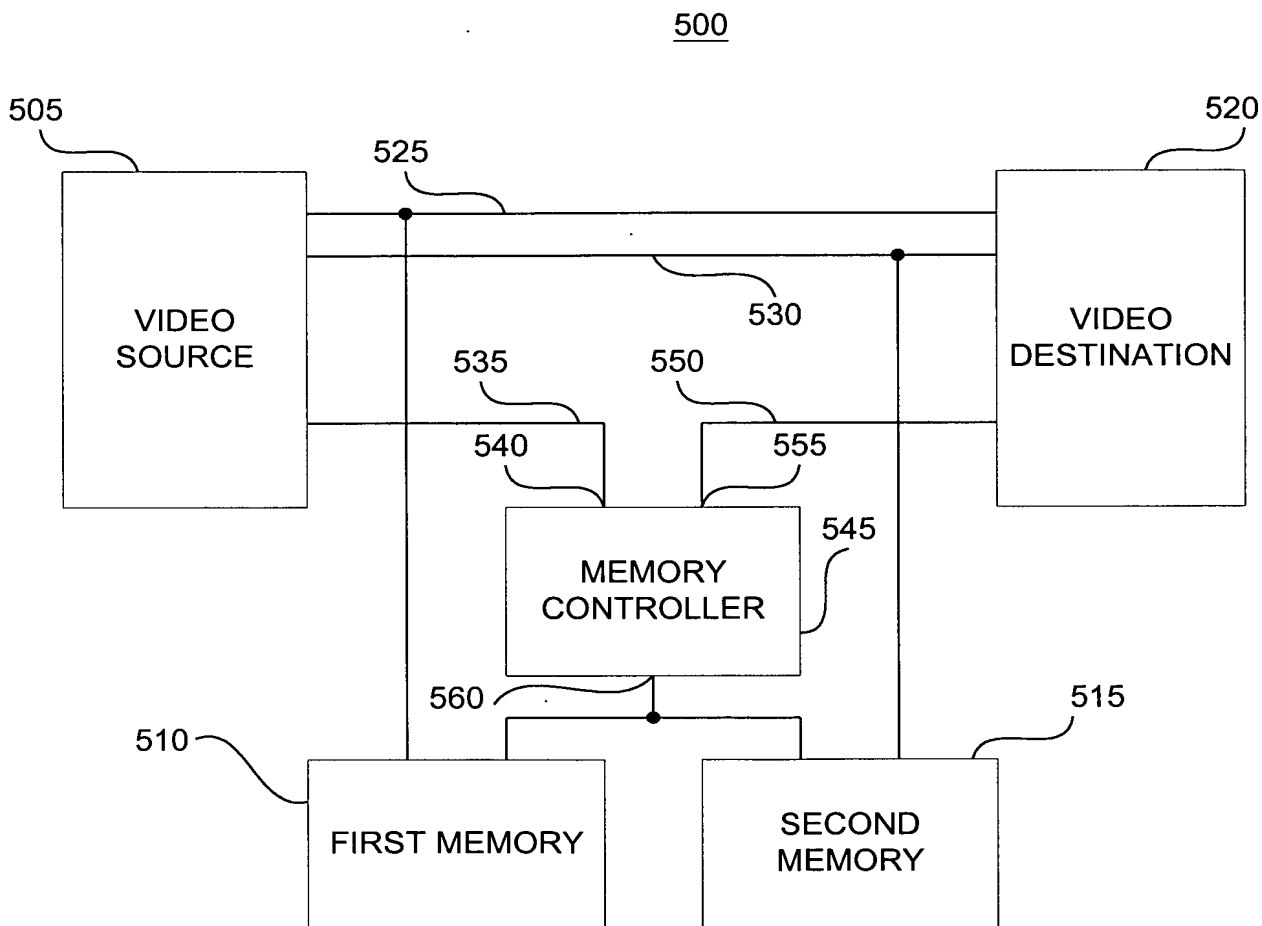
FIG. 4
(Prior Art)



A



FIG. 5
(Prior Art)



A



FIG. 6A
 (Prior Art)

605

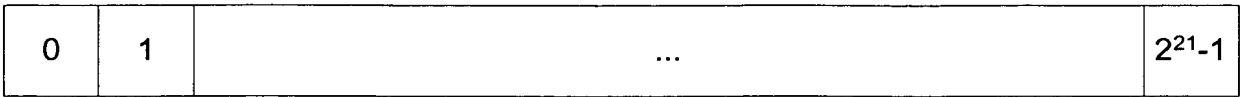


FIG. 6B
 (Prior Art)

650

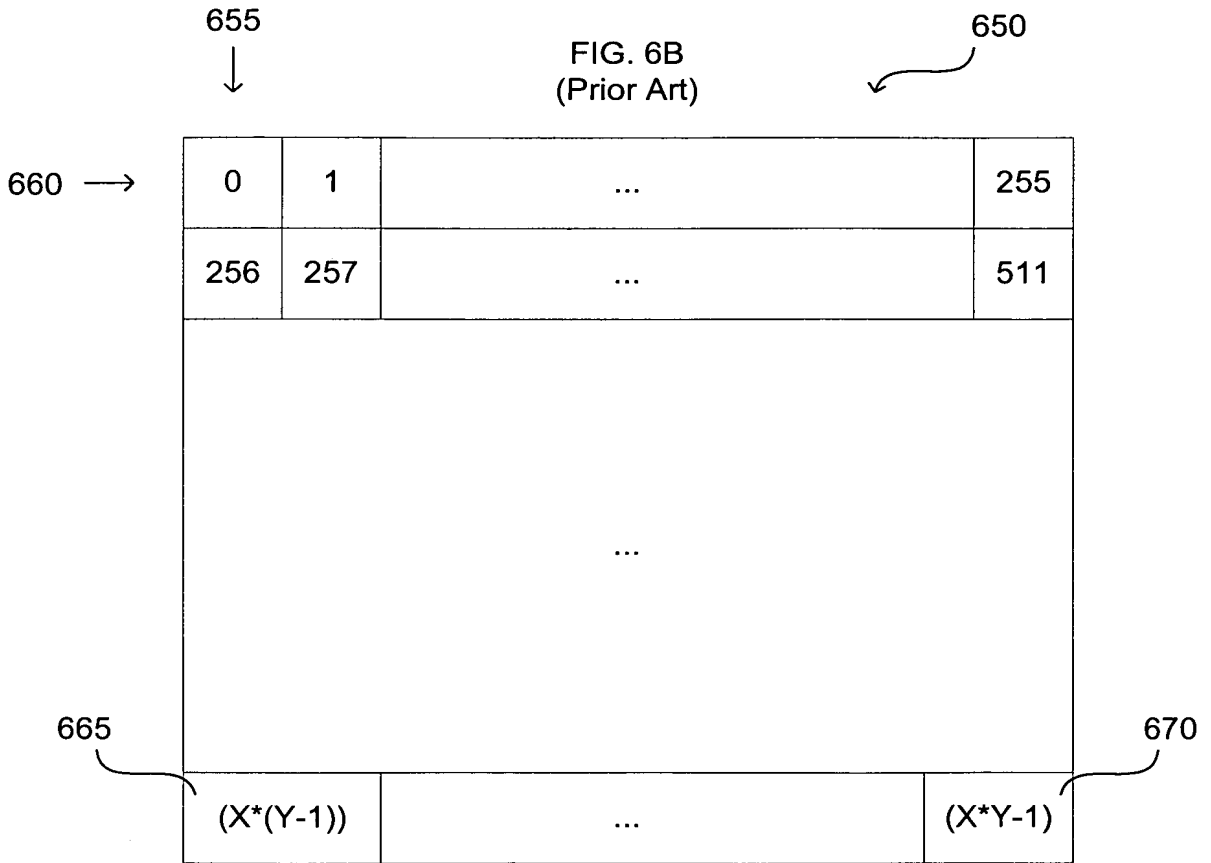
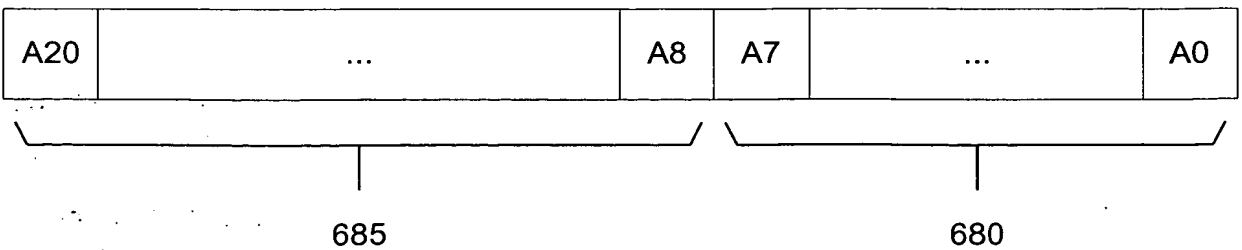


FIG. 6C
 (Prior Art)

675



A